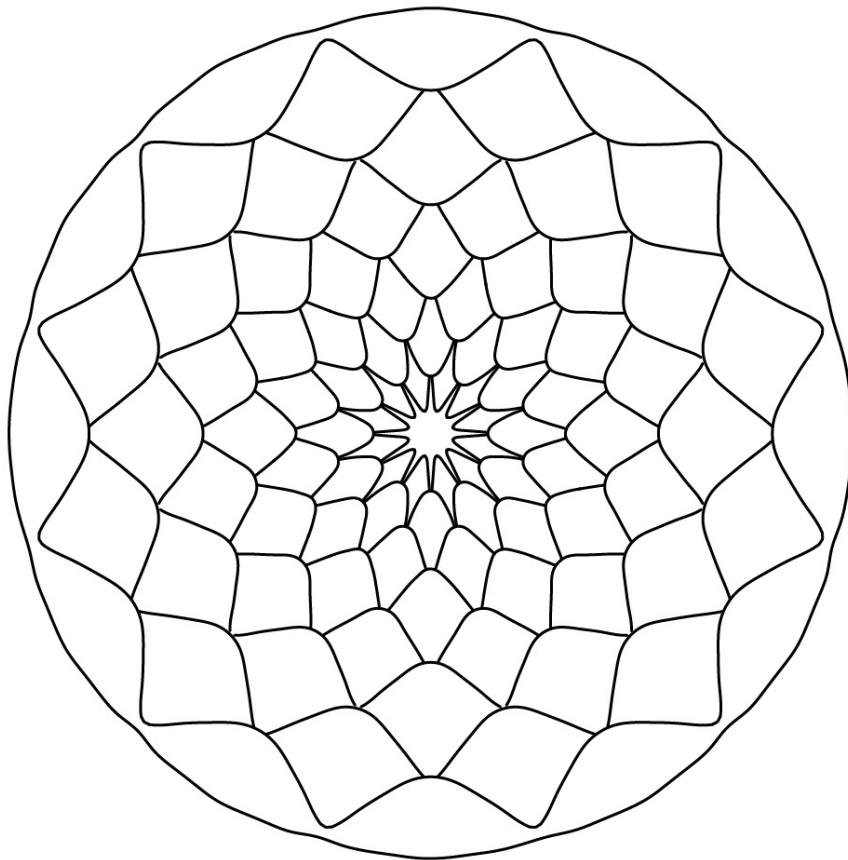


Part of the Vitra Design Museum collection

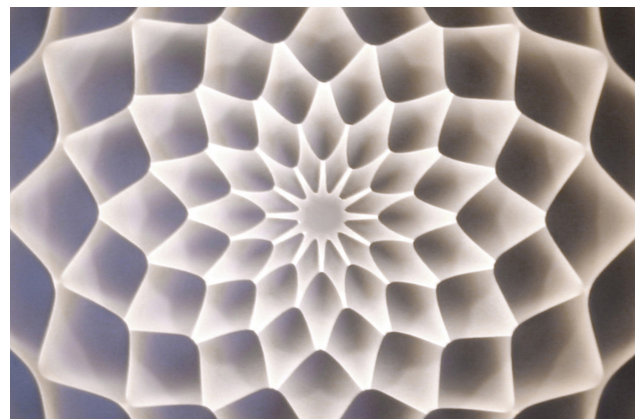
Like the homonymous flower, Dahlia is a fascinating arrangement of petals, cohering to a compact and gentle semi-sphere. Light penetrates the narrow gaps between the Dahlia petals, creating surprising effects on walls and ceilings, especially when mounting several Dahlia lamps in a sequence.

Designed by *Fanne*

Dahlia series



Dahlia (D50) Wall light at the Light & Building show in Frankfurt

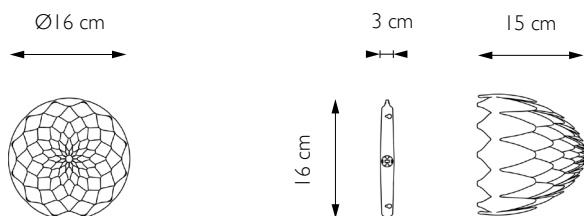


Dahlia (D32) Wall light - front detail

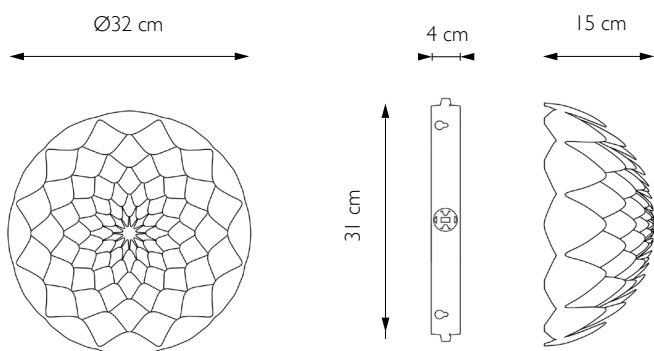
Dahlia

D16/D32/D50

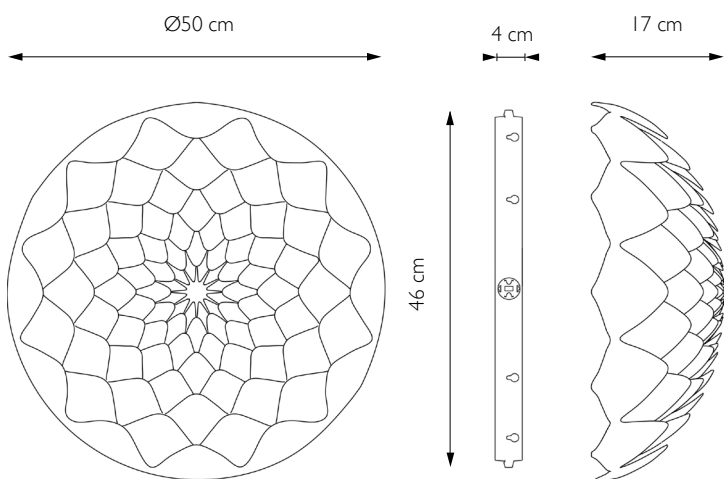
DAHLIA D16



DAHLIA D32



DAHLIA D50



COLOR CHANGE

Just like people the color of the 3D-Printed shade ages. It comes out white and will become a stable off-white color after a year

ELECTRICITY MARKINGS



PRODUCT INFORMATION

| | |
|---------|--|
| Product | <input type="radio"/> Dahlia D16 <input type="radio"/> Dahlia D32 <input type="radio"/> Dahlia D50 |
| Bulb | <input type="radio"/> 240V <input type="radio"/> 120V |

Dahlia D16: G9 halogen (Max 33W) supplied
 Dahlia D32 & D50: G9 halogen (Max 48W) supplied

| | |
|----------|-------------------------------|
| Type | Sconce; wall or ceiling light |
| Designer | Janne Kyttänen 2005–2007 |
| Color | White |
| Material | 3D printed Nylon |

HOW IT'S MADE

This product is the outcome of Freedom Of Creation's ten years of pioneering research exploring 3D printing technologies; a process that transforms a CAD file into a real object by a printing process, adding one layer of matter onto the other until the entire object is generated. The unlimited expressive possibilities that these technologies provide have characterized FOC as a trendsetting brand.

INSTALLATION INSTRUCTION

- Step 1** – You can either leave the cable hanging against the wall and use the dimmer/switch or cut the cable and connect it directly to your power source (make sure that the electricity is switched off)
Step 2 – Connect the mounting unit to the wall or ceiling with the screws & plugs (use M6 drill) that are included
Step 3 – Insert the bulb in the ceramic fitting
Step 4 – Snap the shade onto the mounting unit connectors

DAILY USE INSTRUCTION

Light placement
 – Only indoors
 – Do not use as a table light
 – Press the dimmer button once to turn the light on/off. Hold the button to dim/brighten the light

Bulb (re)placement
 – Do not (re)place when the cable is plugged into the socket
 – Do not touch halogen bulbs with your bare hands
 – Do not use bulbs that exceed the maximum wattage specified in the right top of the sheet

Precautions
 – Do not cover the lamp
 – Do not leave the product unattended with children
 – The product is not a heavy duty item but a work of art, so treat it carefully

Cleaning
 The shade can be cleaned with standard soap and a dishwashing brush or it can be placed in the dishwasher

DIMENSIONS

| | Package dimensions | Net/gross weight |
|------------|--------------------|------------------|
| Dahlia D16 | 43 x 43 x 27 cm | 0,3 / 2 kg |
| Dahlia D32 | 43 x 43 x 27 cm | 0,6 / 3 kg |
| Dahlia D50 | 57 x 57 x 25 cm | 1,4 / 4 kg |