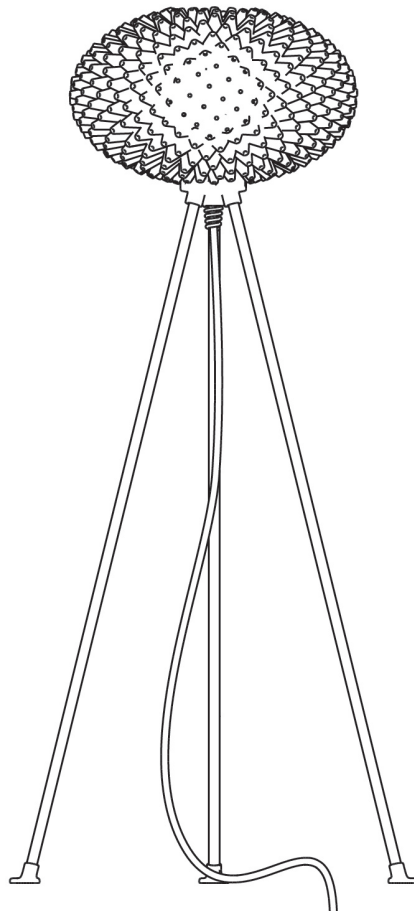


The coneflower, with the characterizing shape described by its uncountable pistils, has inspired the creation of the graceful 610 lamp. It is named after one of the Fibonacci numbers, a sequence of numbers reflected in nature, for example by the arrangement of petals and seeds in flowers.

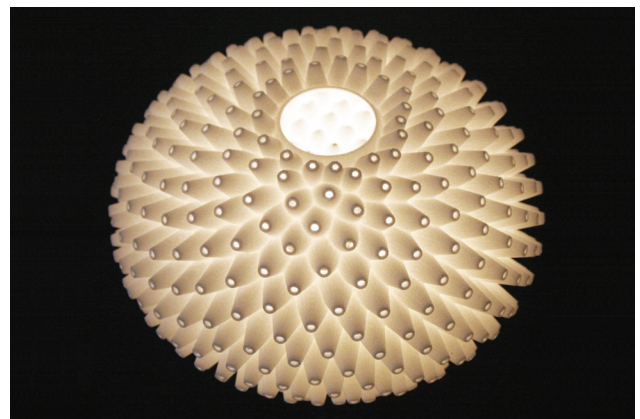
Designed by

Fanne

610 Table



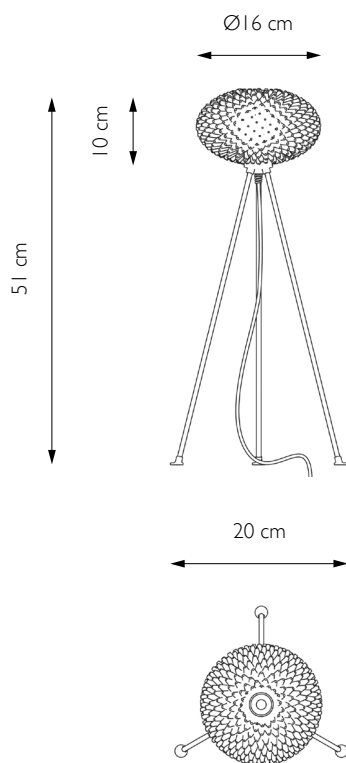
610 Table light in private residence



610 Table light – shade

610 Table

610 TABLE



PRODUCT INFORMATION

Product 610 Table

Bulb 240V
 120V

G9 halogen (Max 48W) supplied

Type Table light
Designer Janne Kyttäen 2005
Color White & matte black
Material 3D printed Nylon & powder coated steel

HOW IT'S MADE

This product is the outcome of Freedom Of Creation's ten years of pioneering research exploring 3D printing technologies; a process that transforms a CAD file into a real object by a printing process, adding one layer of matter onto the other until the entire object is generated. The unlimited expressive possibilities that these technologies provide have characterized FOC as a trendsetting brand.

INSTALLATION INSTRUCTION

- Step 1** – Assemble the third pole by fully sliding its top inside the hole and tighten it by use of the allen-key that is included
Step 2 – Insert the bulb in the ceramic fitting
Step 3 – Screw the shade onto the fitting
Step 4 – Plug the cable into your power socket

DAILY USE INSTRUCTION

Light placement

- Only indoors
- Press the dimmer button once to turn the light on/off. Hold the button to dim/brighten the light

Bulb (re)placement

- Do not (re)place when the cable is plugged into the socket
- Do not touch halogen bulbs with your bare hands
- Do not use bulbs that exceed the maximum wattage specified in the right top of the sheet

Precautions

- Do not cover the lamp
- Do not leave the product unattended with children
- The product is not a heavy duty item but a work of art, so treat it carefully

Cleaning

The shade can be cleaned with standard soap and a dishwashing brush or it can be placed in the dishwasher

COLOR CHANGE

Just like people the color of the 3D-Printed shade ages. It comes out white and will become a stable off-white color after a year

ELECTRICITY MARKINGS



DIMENSIONS

	Package dimensions	Net/gross weight
610 Table	91 x 29 x 18 cm	1,5 / 4 kg