



FOC
Collection

Macedonia Space Divider

Modular space divider system for design interiors and exteriors

"We designed the Macedonia Space Divider in order to create the most flexibility and freedom when dividing interior and exterior spaces. The system creates a highly decorative 3D effect, it is modular and very easy to install."

Janne
Janne Kyttanen





Gym
Example application of Macedonia Space
Divider in a wellness environment



Clubs and bars

▲ The surface finish of the panels is very smooth, so they are easily cleaned from dust and dirt. Even the most enduring wear and tear can be handled. The system makes an ideal solution for example for backlit walls in clubs and bars.



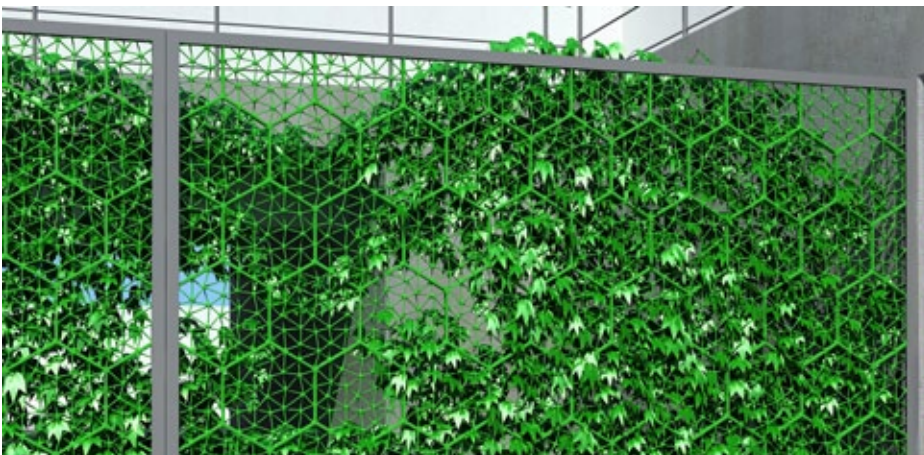
Public spaces

▲ Due to the system being very robust and the plastics being very durable, it can be easily applied for spaces with a lot of traffic, such as department stores, garages, airports etc.



Restaurants

◀ The Macedonia wall panels are ideal decorative solution for restaurants. Especially when you install it both inside and outside, you can create the most fascinating design combinations.



Gardens

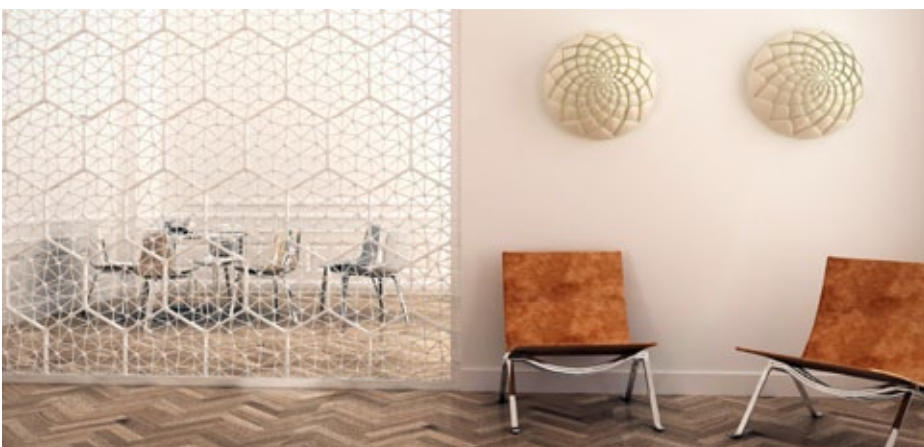
◀ Our most common material, glass filled polypropylene, is also perfectly suited for outdoor use. It is 100% waterproof and due to its elasticity, it has the ability to withstand temperature changes from sub zero to tropical.

Due to the organic design, it also has the ability to adapt nicely with its surroundings, such as with climbing vegetation.



Offices

◀ In order to divide spaces in offices where you need transparency in the highest decorative nature, the Macedonia Space Divider system is an ideal solution.



Hotels and private residences

◀ Due to its decorative nature, this system can be used as part of the design of interiors of the highest nature in hotels and private residences.



Custom solutions

Due to the system being custom fitted for each application, there are a number of ways to also customize the system for different spaces. For example hanging it on the wall, build inside glass panels or using multi-layer in order to play with translucency and colors.

In order to create the most fascinating 3 dimensional shapes we are able to warp the structures around any double curved surface. By doing this, you are able to create the most fascinating hybrid solutions by combining injection molded flat panels with curved 3D printed panels.

Case study

Client: Intos/Benschop

Purpose: Two headquarters from the biggest department store chain in the Netherlands

Delivery time: 3 weeks

Customization: Double layer of warm grey Macedonia Space Dividers inside two sheets of glass



Technical information

Material

Flat panels: Glass filled polypropylene, or other thermoplastics such as ABS or polycarbonate. Fire retardant thermoplastics are also an option for spaces where this is required

3D patterns: Laser Sintered polyamide

Measurements (1 panel)

50 x 50 x 3 cm

From point to point (longest distance) = 50cm

From the flat side to the other flat side = 43,4cm.

Weight

630 grams

Connection system:

2 tripod units connected with a screw that holds the panels together. A little round cap is provided to cover the screw (see below).

Colors

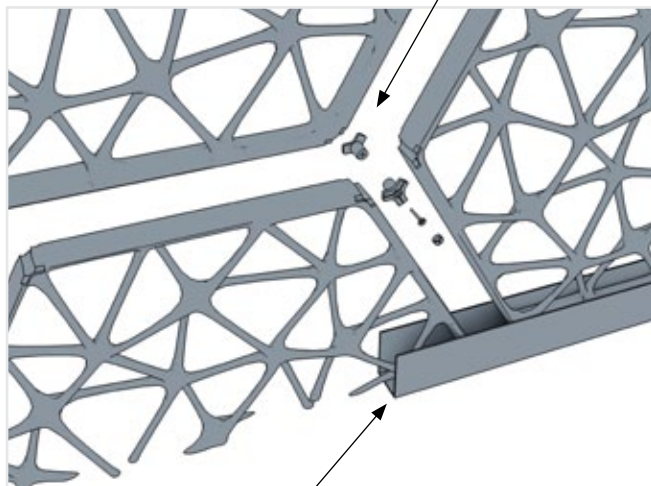
Virtually any RAL color can be applied to the panels

Finish

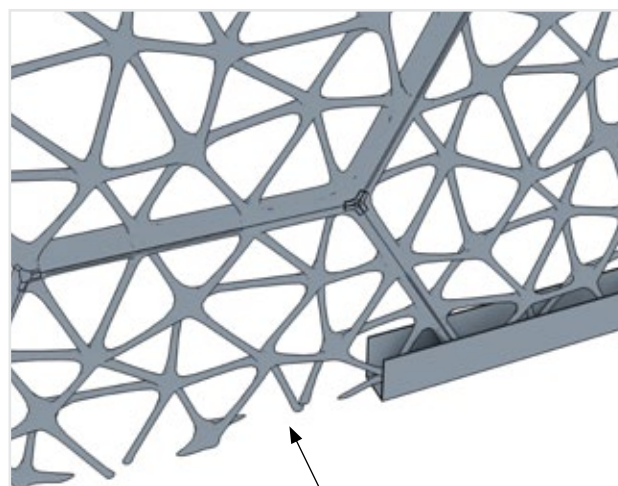
Surface finish is very smooth in order to protect it from dust and dirt and also make very easy to clean.

Due to each application being custom fitted to interior and exterior architectural solutions, practically any surface treatment can be applied such as flocking or gold plating.

Connection system

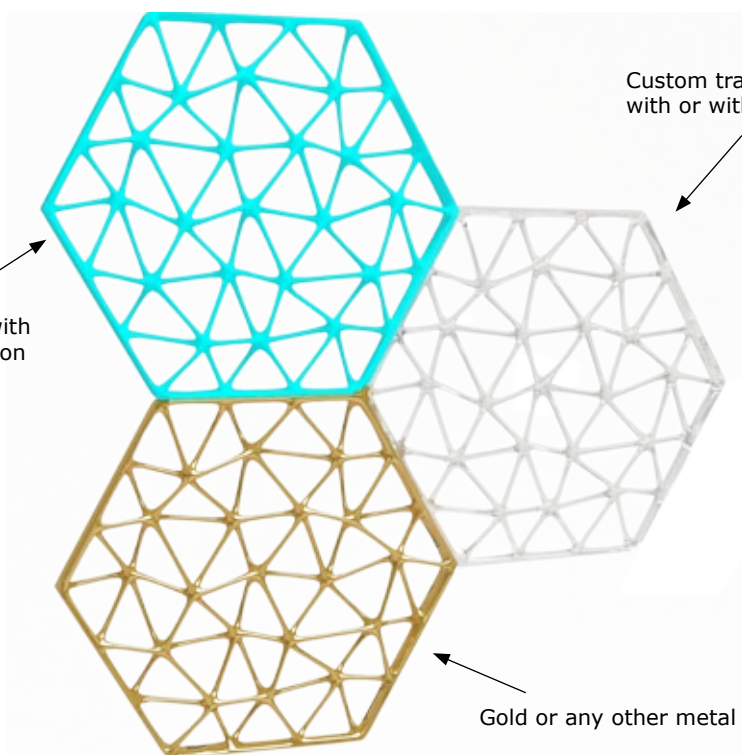


Rails are cut in order to serve the need for any custom application



Panels are cut in order to serve the need for any custom application

Matching color with outdoor vegetation



Custom transparent panels with or without color tint

Gold or any other metal plated finish

Maintenance

Due to the surface of the panels being smooth and non porous, they are easily cleanable with standard cleaning detergents.

The panels are very modular and easy to mount and unmount. This makes the system ideal for not just permanent solutions, but also for temporary situations. Should any damage happen to the panels due to havok or other accidents, even single panels are easily replaced.

Installation

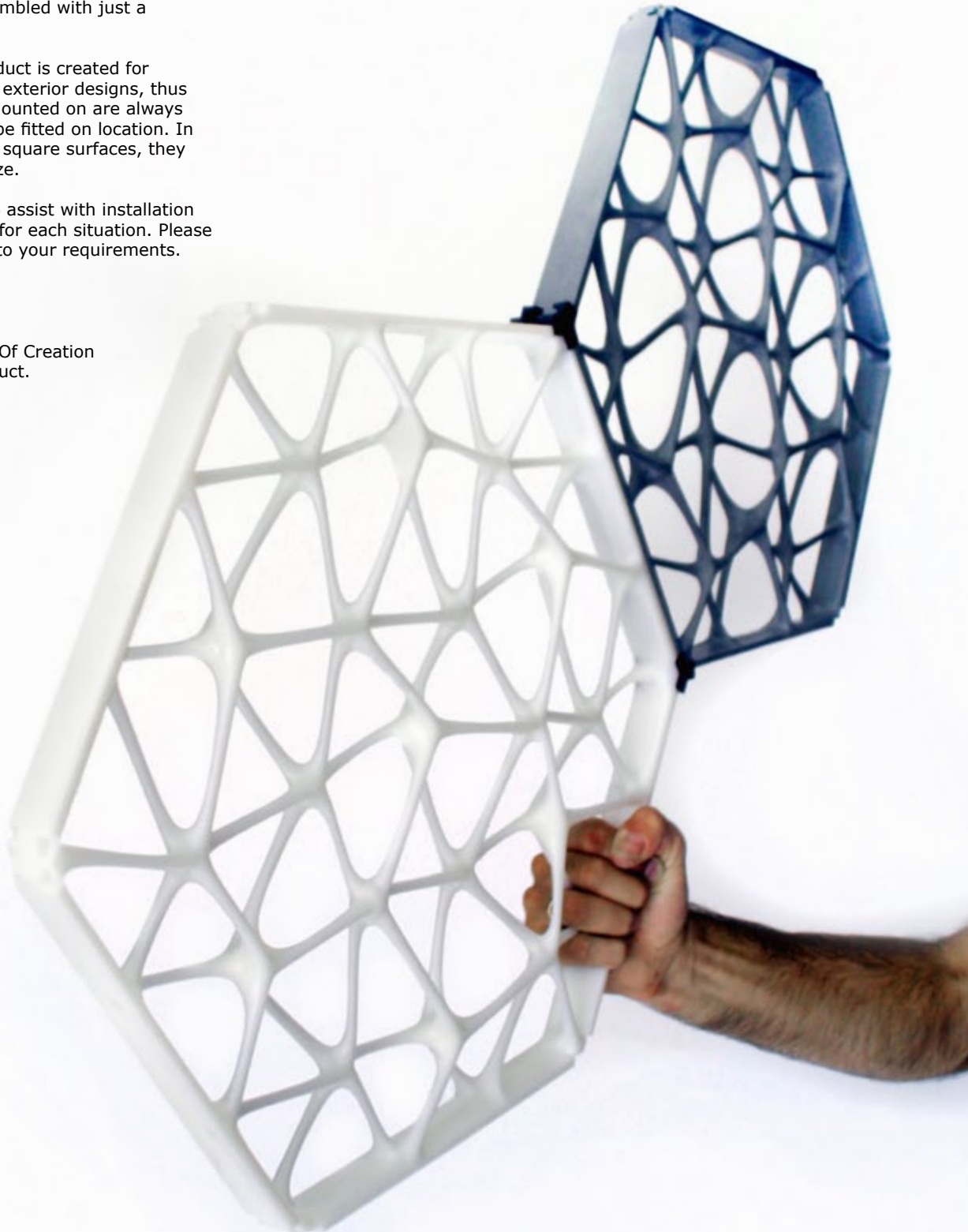
FOC delivers the system as individual panels, which can be easily assembled with just a screwdriver.

At first instance this product is created for professional interior and exterior designs, thus the railings where it is mounted on are always tailormade and need to be fitted on location. In order to fit the panels in square surfaces, they also need to be cut to size.

FOC has the expertise to assist with installation and gives design advise for each situation. Please contact us with regards to your requirements.

Warranty

Please contact Freedom Of Creation for warranty of this product.



Worldwide distributors

Bahrain

CASPAIOU
Sheikh Rashid Bin Khalifa Building
Showroom no. 4
Sheikh Zayed Road, Al Quoz
Between 2nd and 3rd interchange
Dubai
Tel: +971 (0)50 2930934
Fax: +971 (0)4 3388276
info@caspaiou.com

Belgium

Lunar Society bvba
Schoonderbeukenweg 290
3202 Rillaar
Tel: +32 485 567 121
guido@lunarsociety.be

Cyprus

2nd Floor
18 Andreou Georgiou Street
54627 Thessaloniki
Greece
Tel: +30 2310 266931
Fax: +30 2310 266647
sales@2ndfloor.gr
www.2ndfloor.gr

Denmark

Okko Consulting AB
Birger Jarlsgatan 93
113 56 Stockholm
Sweden
ml@okko.se
www.okko-design.com

Finland

Okko Consulting AB
Birger Jarlsgatan 93
113 56 Stockholm
Sweden
ml@okko.se
www.okko-design.com

Germany

Now Is Here. oHG
Design Distributors
Durenstrasse 1
D 53173 Bonn-Bad Godesberg
Tel: +49 228 95116 14
Fax: +49 228 95116 24
info@nowishere.de
www.nowishere.de

Greece

2nd Floor
18 Andreou Georgiou Street
54627 Thessaloniki
Greece
Tel: +30 2310 266931
Fax: +30 2310 266647
sales@2ndfloor.gr
www.2ndfloor.gr

Italy

HSL
HSL s.r.l. a socio unico
Via dei Masadori 46 – Loc. Spini
38100 Trento
ITALY
Tel: +39.0461.955411
Fax: +39.0461.955422
fabio.ciciani@hsl-italia.com

Kuwait

CASPAIOU
Sheikh Rashid Bin Khalifa Building
Showroom no. 4
Sheikh Zayed Road, Al Quoz
Between 2nd and 3rd interchange
Dubai
Tel: +971 (0)50 2930934
Fax: +971 (0)4 3388276
info@caspaiou.com

Luxembourg

Lunar Society bvba
Schoonderbeukenweg 290
3202 Rillaar
Tel: +32 485 567 121
guido@lunarsociety.be

Norway

Okko Consulting AB
Birger Jarlsgatan 93
113 56 Stockholm
Sweden
ml@okko.se
www.okko-design.com

Oman

CASPAIOU
Sheikh Rashid Bin Khalifa Building
Showroom no. 4
Sheikh Zayed Road, Al Quoz
Between 2nd and 3rd interchange
Dubai
Tel: +971 (0)50 2930934
Fax: +971 (0)4 3388276
info@caspaiou.com

Qatar

CASPAIOU
Sheikh Rashid Bin Khalifa Building
Showroom no. 4
Sheikh Zayed Road, Al Quoz
Between 2nd and 3rd interchange
Dubai
Tel: +971 (0)50 2930934
Fax: +971 (0)4 3388276
info@caspaiou.com

Russia

Omami LLC
Ksenia Filatova
Dmitrovskoe hwy, 27/1
Moscow, Russia
127550
+7 903 669 4976
+7 495 720 9530
ksenia.filatova@gmail.com

Saudi Arabia

CASPAIOU
Sheikh Rashid Bin Khalifa Building
Showroom no. 4
Sheikh Zayed Road, Al Quoz
Between 2nd and 3rd interchange
Dubai
Tel: +971 (0)50 2930934
Fax: +971 (0)4 3388276
info@caspaiou.com

South Africa

Pure Light SA
Fourways, 2065, Johannesburg
Republic of South Africa
Tel: +27 82 9793350
vasili@purelightsa.co.za

Spain

KAMBI s.l.
Maria Fortuny 20, local 1
08830 Sant Boi de Llobregat
Tel: +34 93 630 78 13
Fax: +34 93 640 11 94
kambi@kambisl.com
www.kambisl.com

Sweden

Okko Consulting AB
Birger Jarlsgatan 93
113 56 Stockholm
Sweden
ml@okko.se
www.okko-design.com

Taiwan

eAn International co., Ltd
No 1001 Kaonan Highway
Kaohsiung
Taiwan 81160
paoling.ean@msa.hinet.net
www.eaninnovation.com.tw

United Arab Emirates

CASPAIOU
Sheikh Rashid Bin Khalifa Building
Showroom no. 4
Sheikh Zayed Road, Al Quoz
Between 2nd and 3rd interchange
Dubai
Tel: +971 (0)50 2930934
Fax: +971 (0)4 3388276
info@caspaiou.com

Contact

Freedom Of Creation BV
Cruquiuskade 85-87
1018 AM AMSTERDAM
The Netherlands
Tel: +31 (0) 20 675 84 15
info@freedomofcreation.com



www.freedomofcreation.com